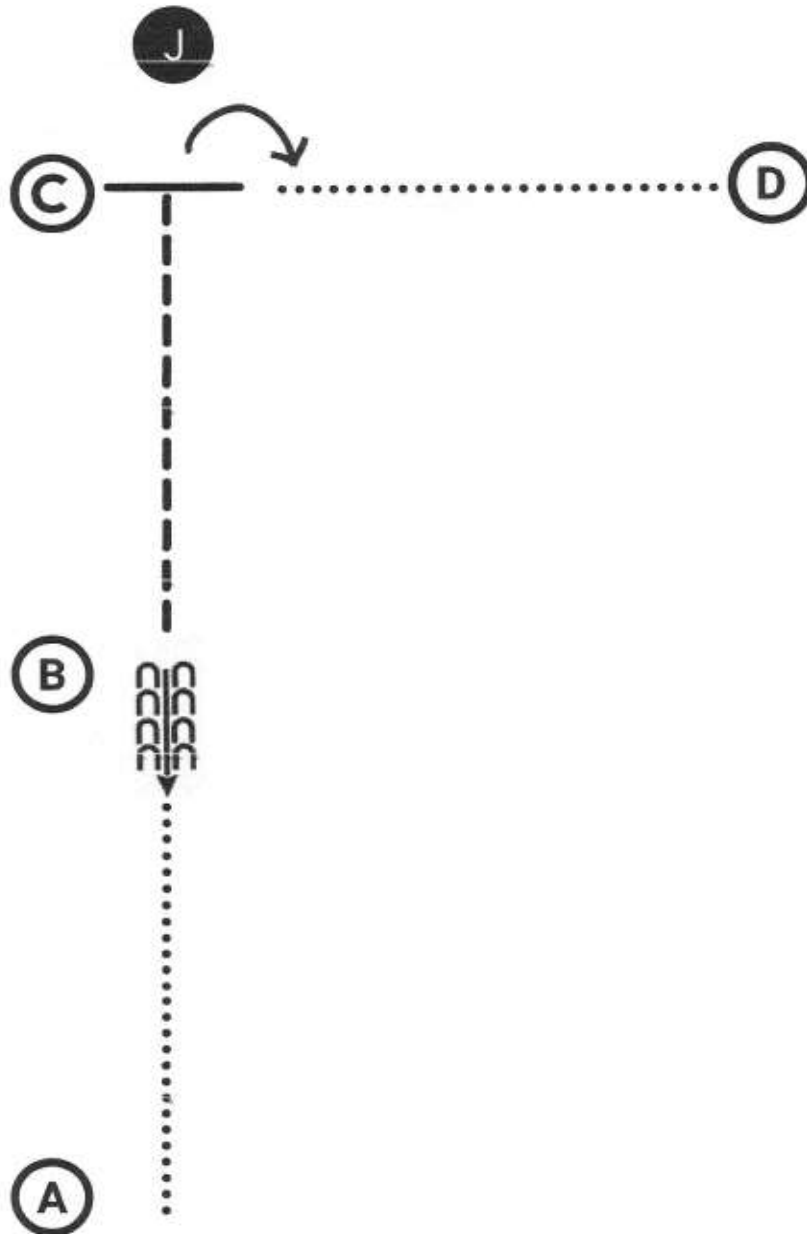


SLCo 4-H Horse Show #1
2-Handed & In-Hand Showmanship
All Ages
SHOW DATE 05-31-2024



1. Walk from A to B.
2. At B stop and back one horse length.
3. Trot to C.
4. Stop at C and set up for inspection.
5. When dismissed perform a 90 degree pivot.
6. Walk to D.

Walk

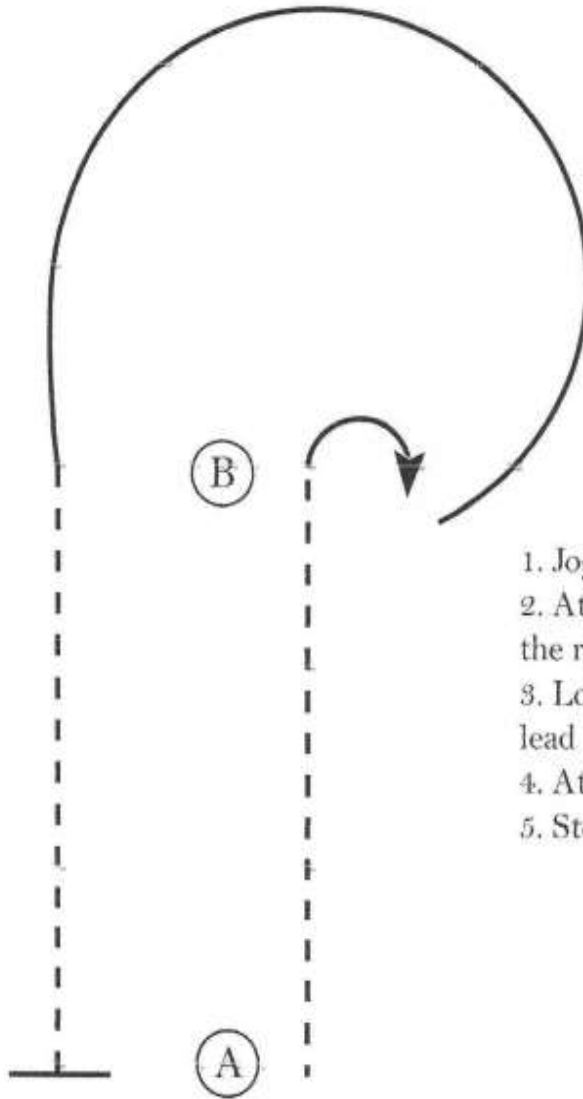
Trot - - - - -

Back ← 

Judge 

Marker 

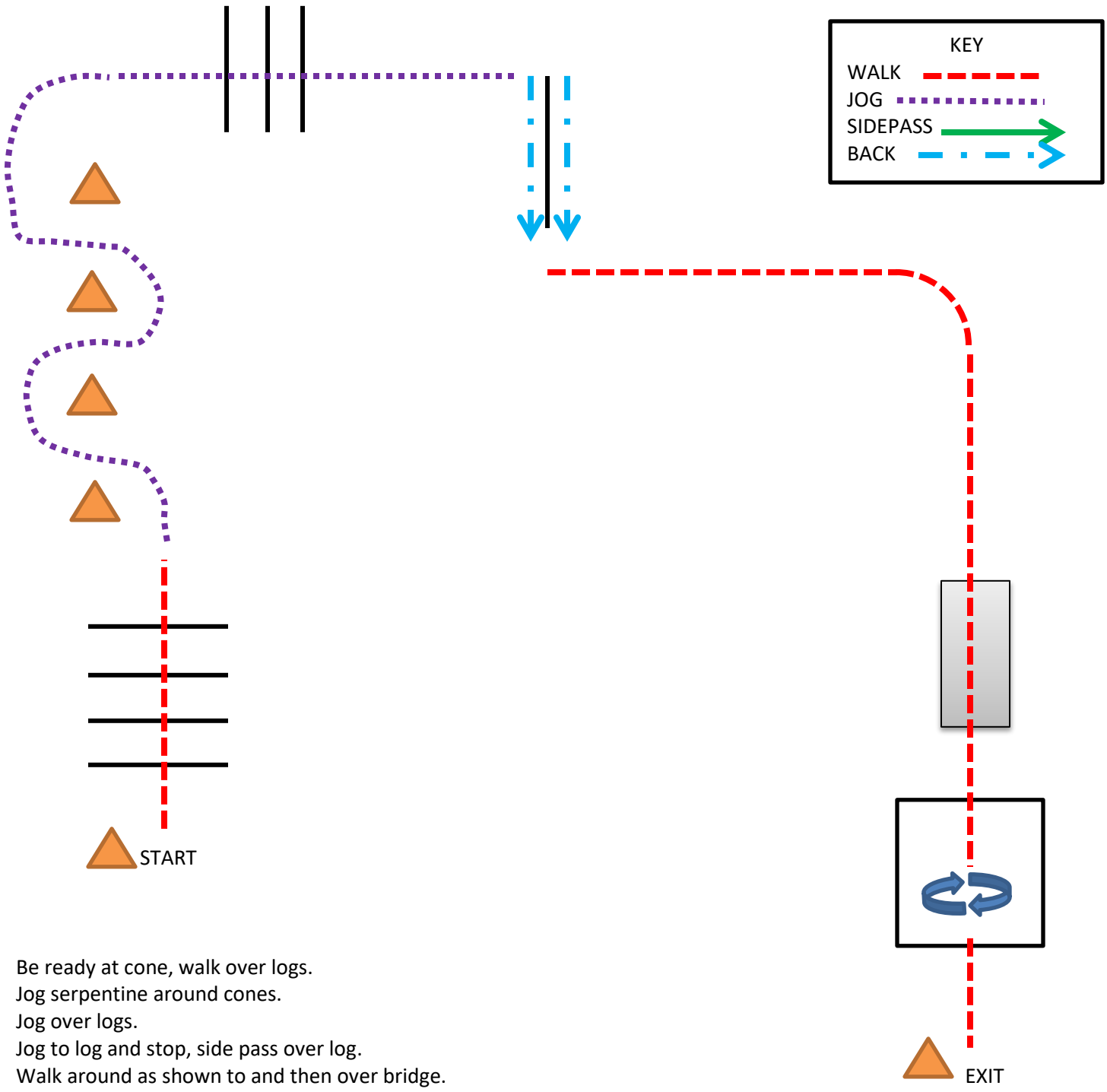
SLCo 4-H Horse Show #1
2-Handed Western Horsemanship
All Ages
SHOW DATE 05-31-2024



1. Jog A to B
2. At B perform a 90 degree pivot to the right
3. Lope a circle around B on the left lead
4. At B jog to A
5. Stop at A.

Walk	-----
Jog	- - - - -
Extended Jog	— — — —
Lope	—————
Leg Yield	
Lead Change	↗ ↘
Back	←←←←← ←←←←←
Marker	⊙
Sidepass	←←←←←

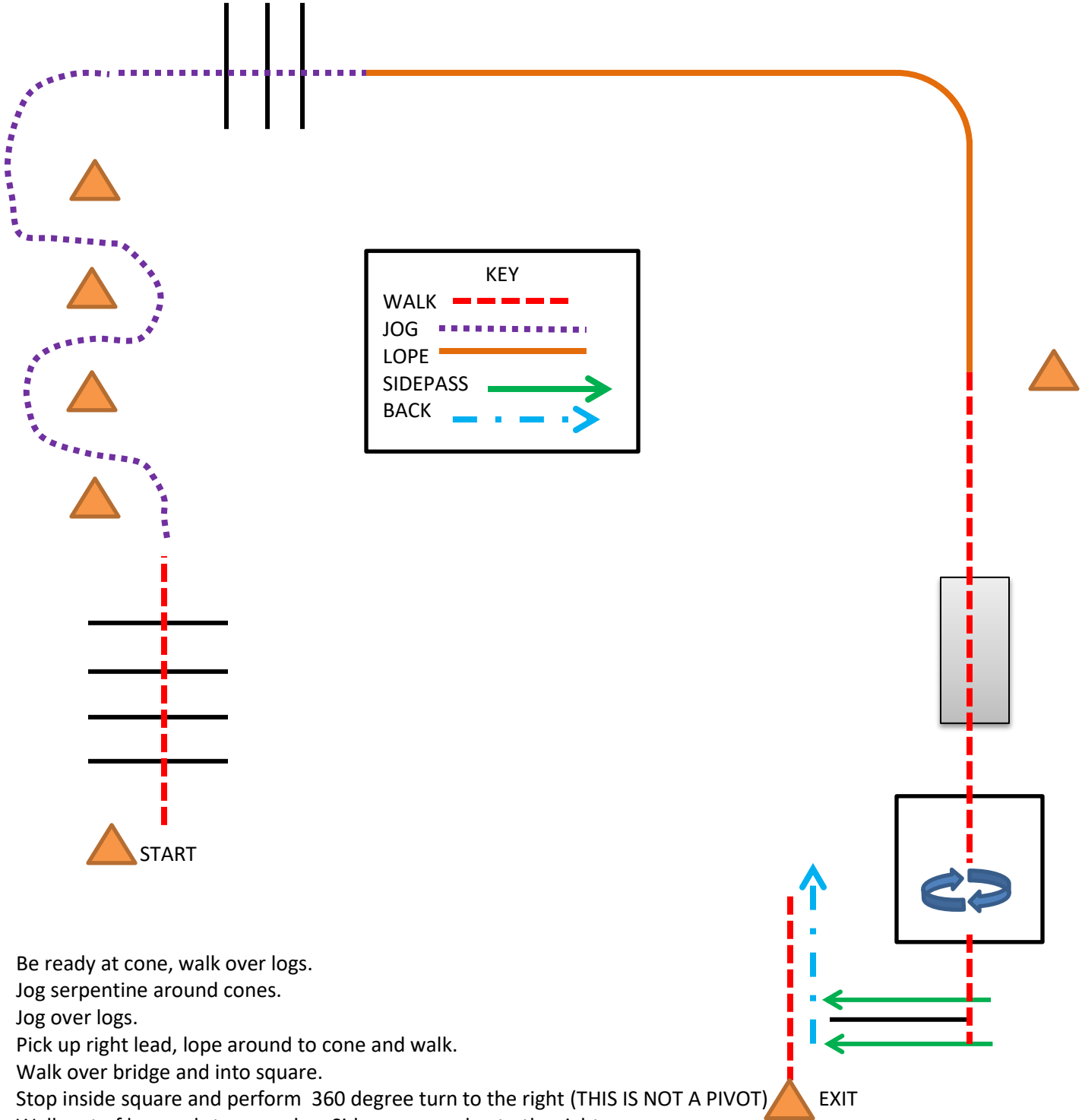
SLCo 4-H Horse Show #1
In-Handed Trail
All Ages
SHOW DATE 05-31-2024



KEY	
WALK	
JOG	
SIDEPASS	
BACK	

1. Be ready at cone, walk over logs.
2. Jog serpentine around cones.
3. Jog over logs.
4. Jog to log and stop, side pass over log.
5. Walk around as shown to and then over bridge.
6. Walk into square, stop and perform 360 turn to the right (THIS IS NOT A PIVOT)
7. Walk out of box.
8. Walk to exit.

SLCo 4-H Horse Show #1
2-Handed Trail
All Ages
SHOW DATE 05-31-2024



KEY	
WALK	
JOG	
LOPE	
SIDEPASS	
BACK	

1. Be ready at cone, walk over logs.
2. Jog serpentine around cones.
3. Jog over logs.
4. Pick up right lead, lope around to cone and walk.
5. Walk over bridge and into square.
6. Stop inside square and perform 360 degree turn to the right (THIS IS NOT A PIVOT)
7. Walk out of box and step over log, Side pass over log to the right.
8. Back one horse length and walk to exit.